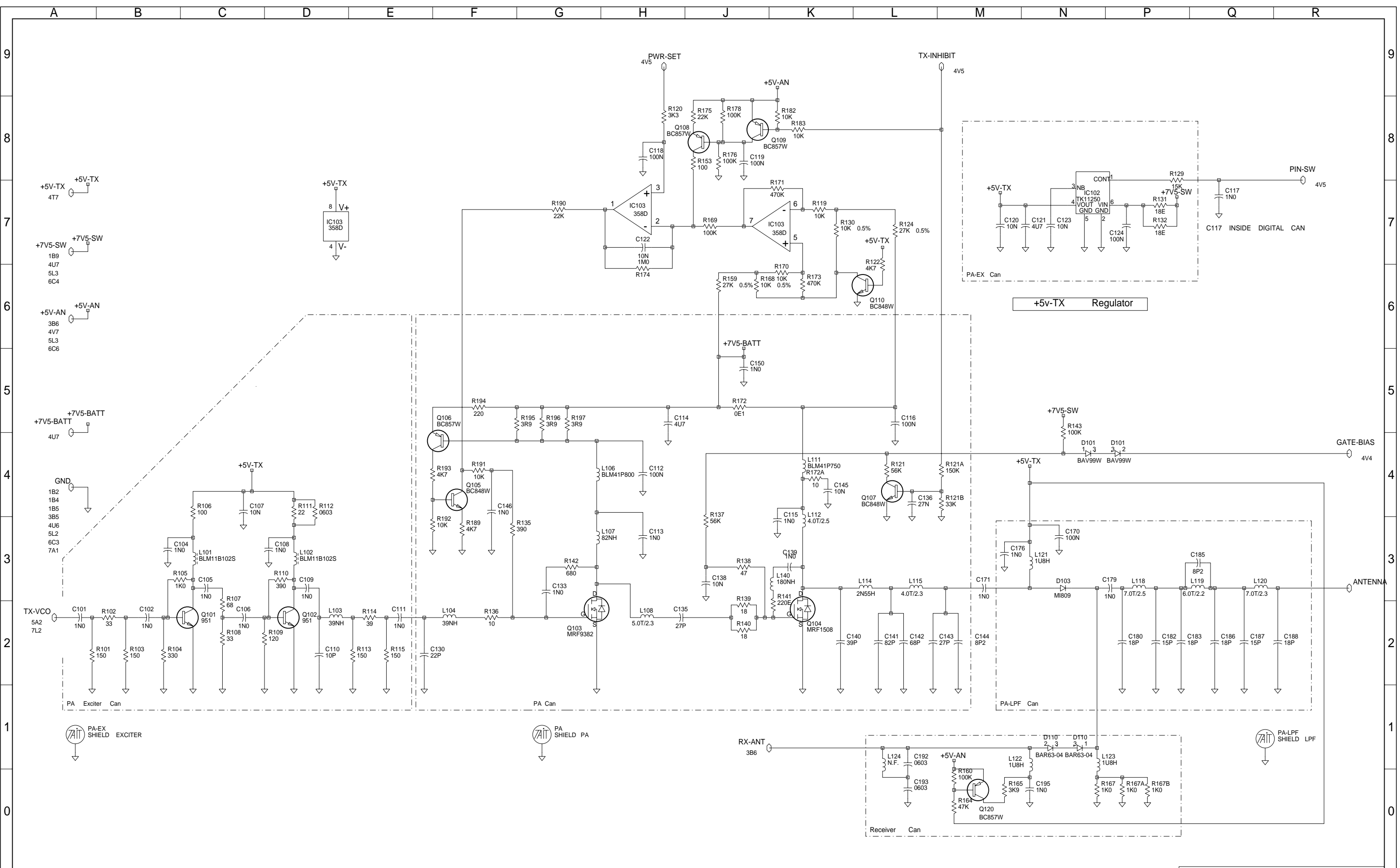


04B	CCO NO.1588-012 DIG CAN ATL:2	BRD			03-02-2K
04A	CCO 1588/005.009.010	CM/BD/CK			16/11/99
03B	4 SPR.PINS TO SMD. SEALS NONSMD	TS			06/10/99
02B	PARTS ADDED TO SAVE POWER	BRD			11/06/99
02B	GEN-NEW PASTE SCREEN FOR DEK	BRD			02/06/99
02A	MINOR MOD TO CCT AND VALUES	SP/CJK			25/05/99
01A	NEW PA LINEUP	BCS/CJK			12/02/99
REV/ISS	AMENDMENTS	DRAWN	CHKD	D.O.	APVD DATE



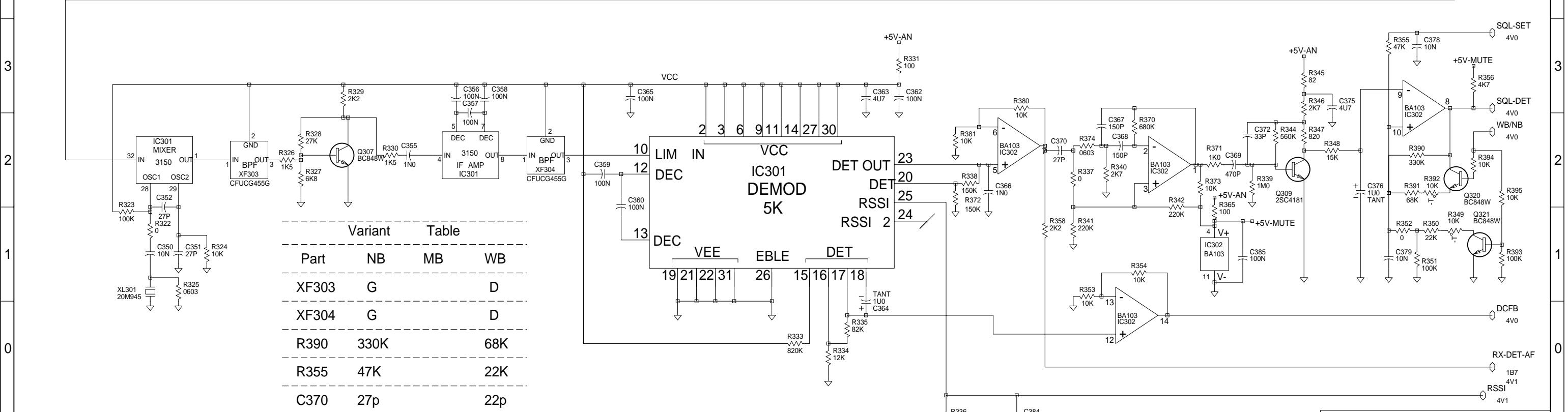
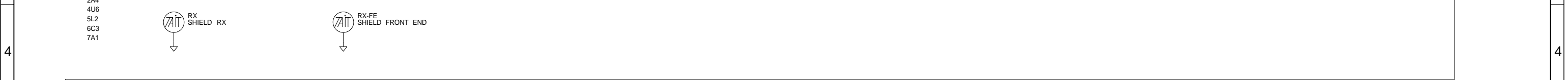
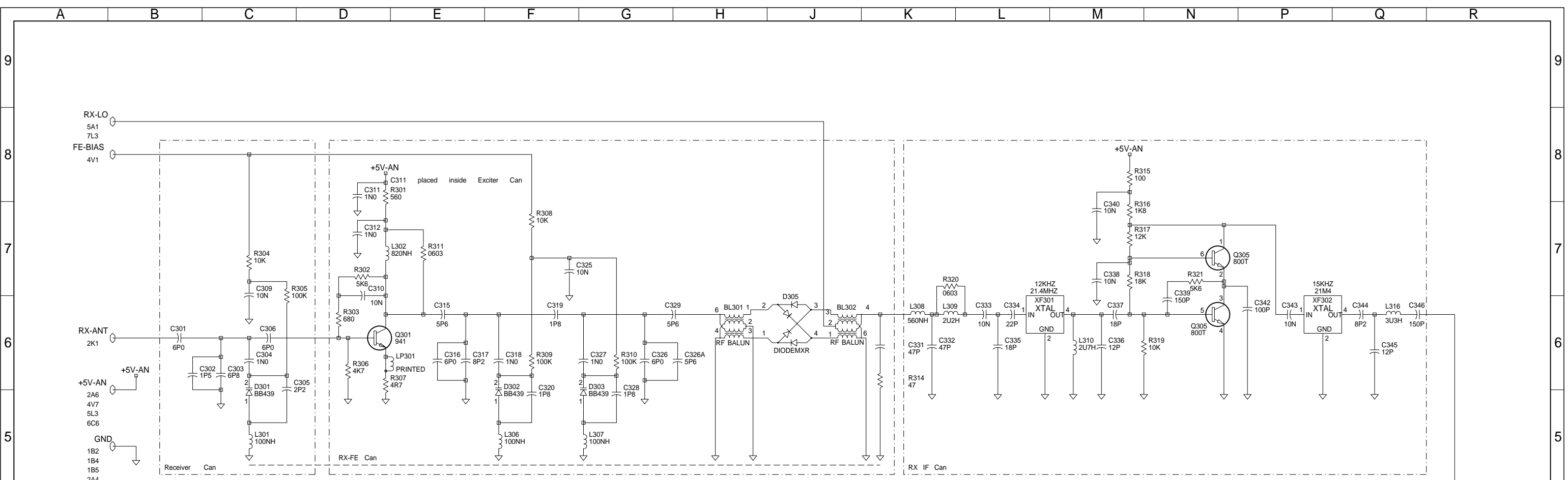
**VHF**  
Tait Orca

© TAIT ELECTRONICS	
ORCA	:TP010-3122 136-174MHZ
SYSTEM DIAGRAM	
IPN: 220-01588-04	ISSUE: B
DESIGNER: TAIT ORCA	FILE DATE: 7-Feb-00
BRD: 158804b	NO. SHEETS: 7



<b>TAIT ELECTRONICS</b>			
ORCA		TP010-3122	136-174MHZ
<b>POWER AMPLIFIER</b>			
IPN:	ISSUE:	ID:	
220-01588-04	B	2.S.C. 2	
PROJECT:	DESIGNER:	FILE NAME:	FILE DATE:
TAIT ORCA	BRD	158804b	7-Feb-00
NO SHEETS:			
7			

REV/ISS	AMENDMENTS	DRAWN	CHKD	D.O.	APVD	DATE
A						



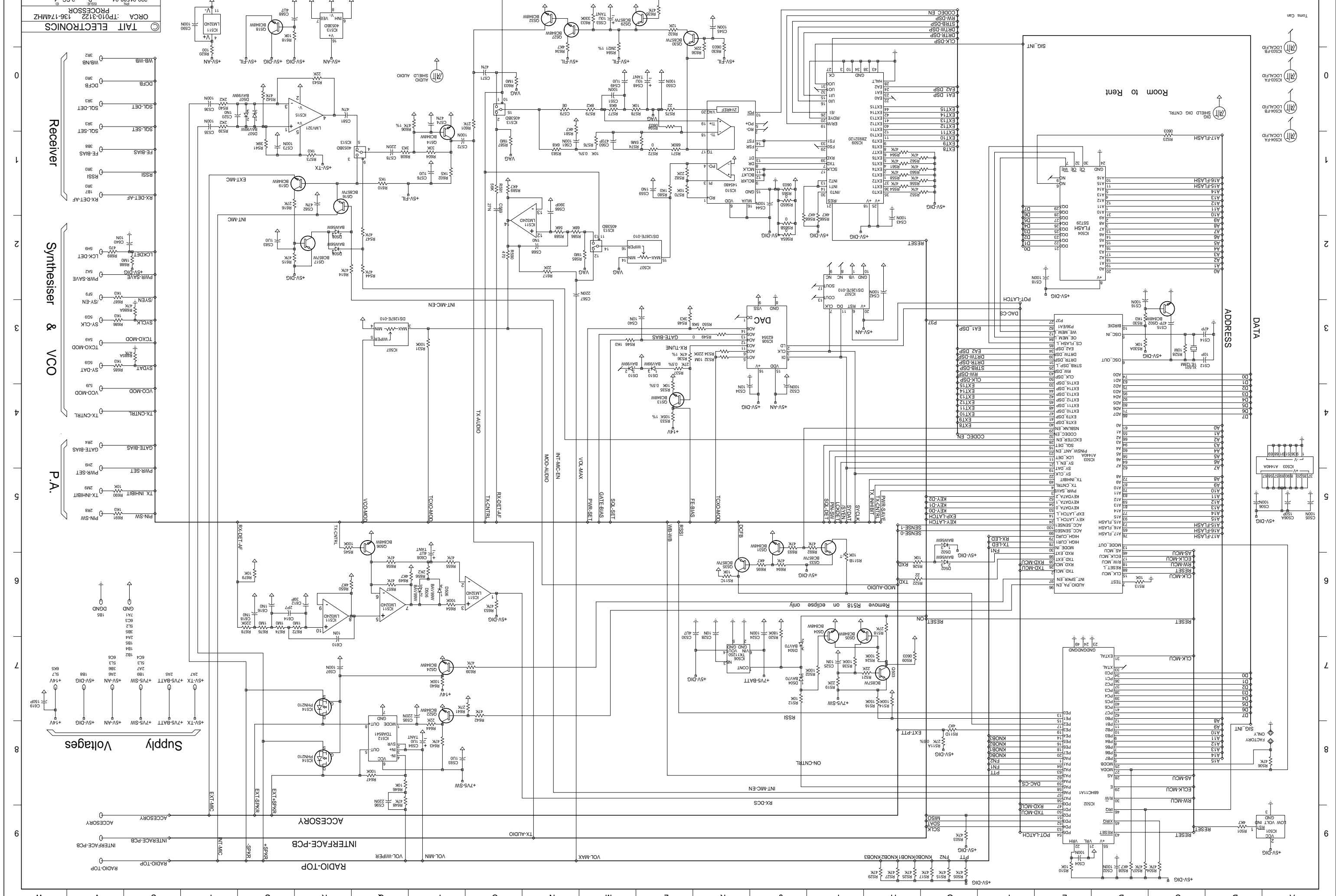
Variant Table

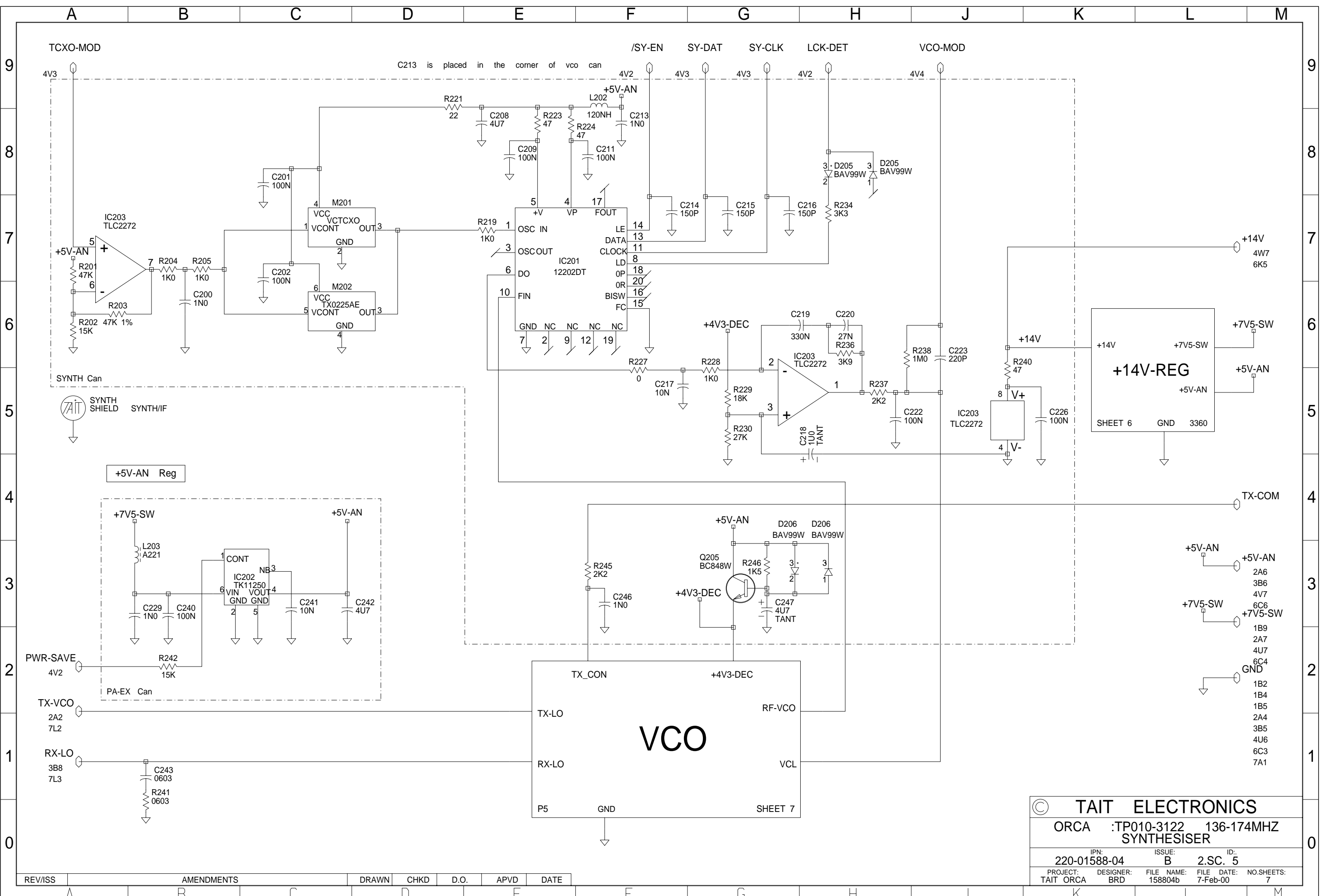
Part	NB	MB	WB
XF303	G		D
XF304	G		D
R390	330K		68K
R355	47K		22K
C370	27p		22p
C369	470p		330p

TAIT ELECTRONICS  
 ORCA :TP010-3122 136-174MHZ RECEIVER  
 IPN: 220-01588-04 ISSUE: B 2.S.C. 3  
 PROJECT: TAIT ORCA BRD DESIGNER: 158804b FILE NAME: 7-Feb-00 NO.SHEETS: 7

REV/ISS	AMENDMENTS	DRAWN	CHKD	D.O.	APVD	DATE

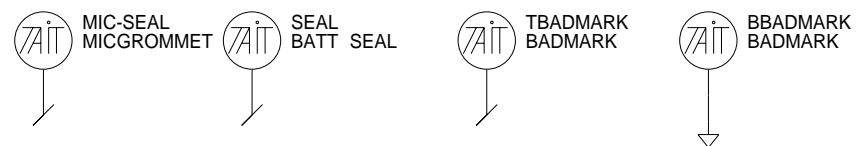
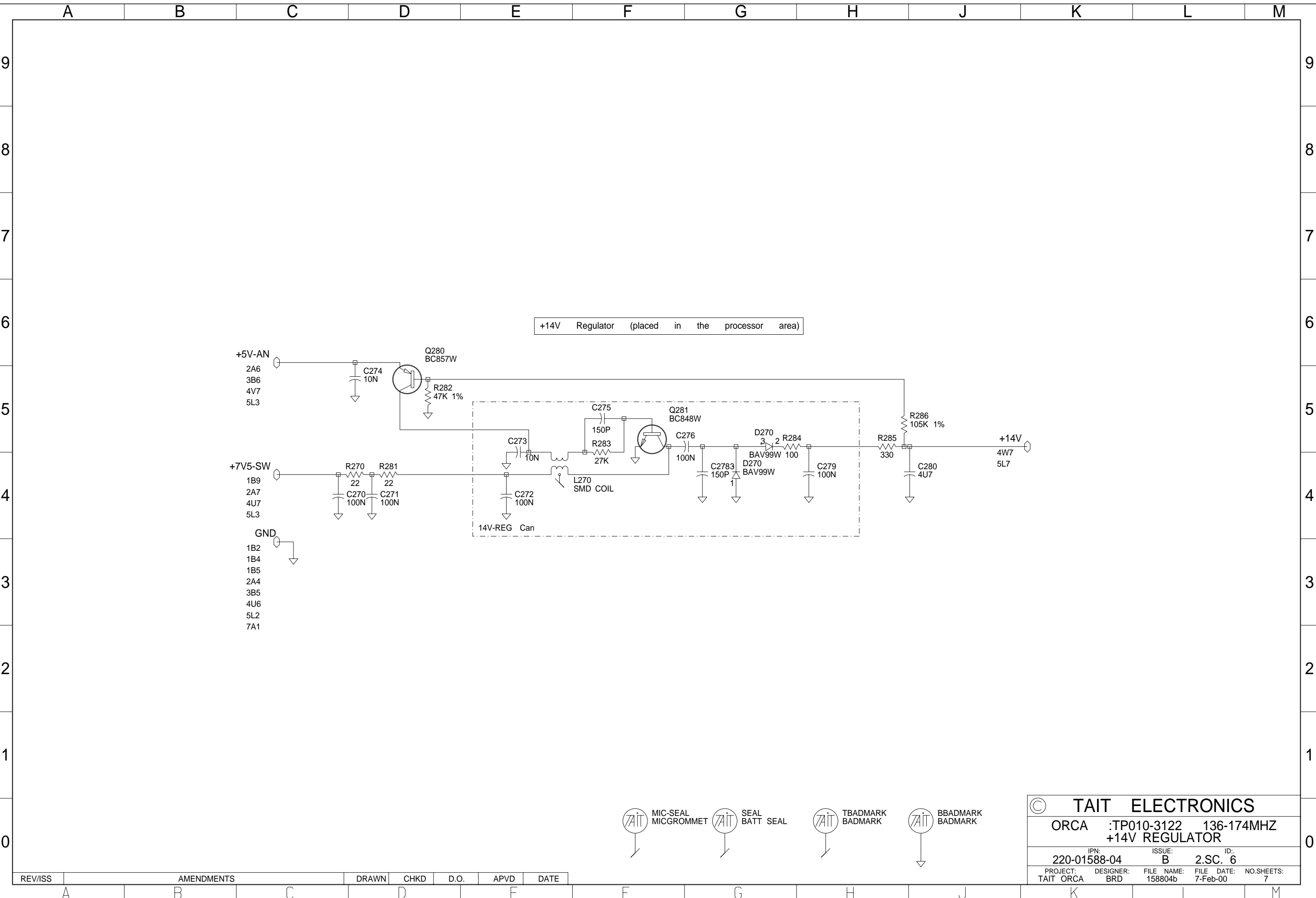






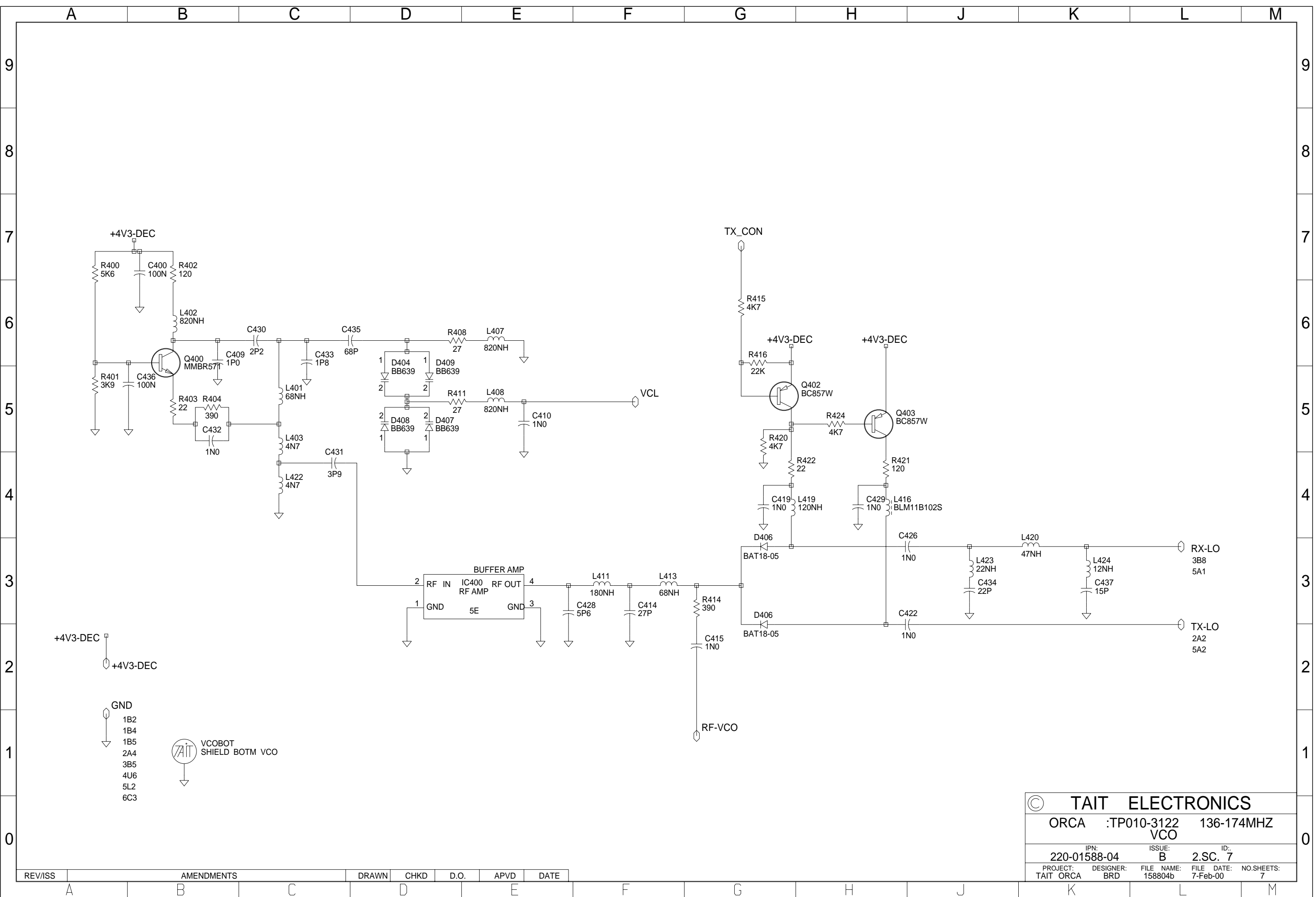
© TAIT ELECTRONICS				
ORCA	:TP010-3122	136-174MHZ	SYNTHESISER	
IPN:	220-01588-04	ISSUE:	B	ID: 2.SC. 5
PROJECT:	TAIT ORCA	DESIGNER:	BRD	FILE NAME: 158804b
		FILE DATE:	7-Feb-00	NO.SHEETS: 7

REV/ISS	AMENDMENTS	DRAWN	CHKD	D.O.	APVD	DATE



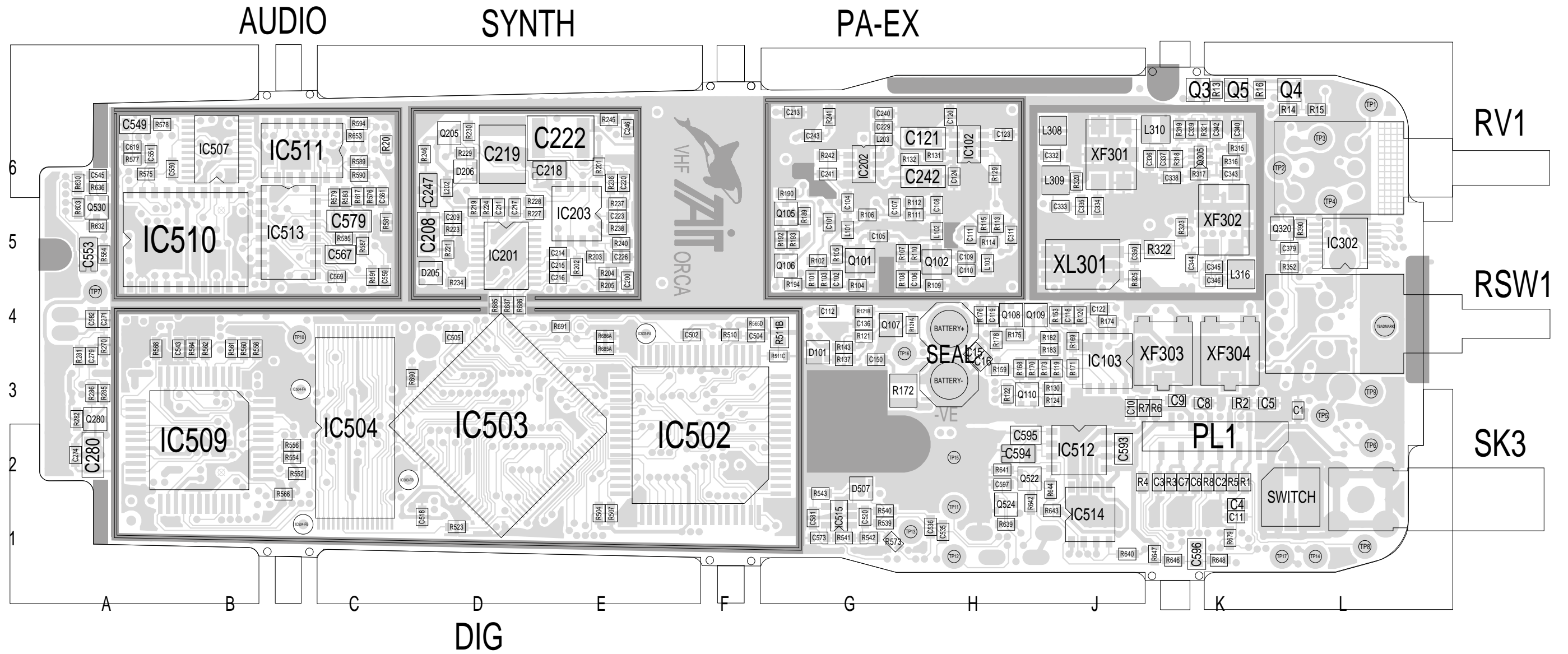
© TAIT ELECTRONICS				
ORCA		TP010-3122	136-174MHZ	
+14V REGULATOR				
IPN:		ISSUE:		ID:
220-01588-04		B		2.SC. 6
PROJECT:	DESIGNER:	FILE NAME:	FILE DATE:	NO.SHEETS:
TAIT ORCA	BRD	158804b	7-Feb-00	7

REV/ISS	AMENDMENTS	DRAWN	CHKD	D.O.	APVD	DATE
---------	------------	-------	------	------	------	------



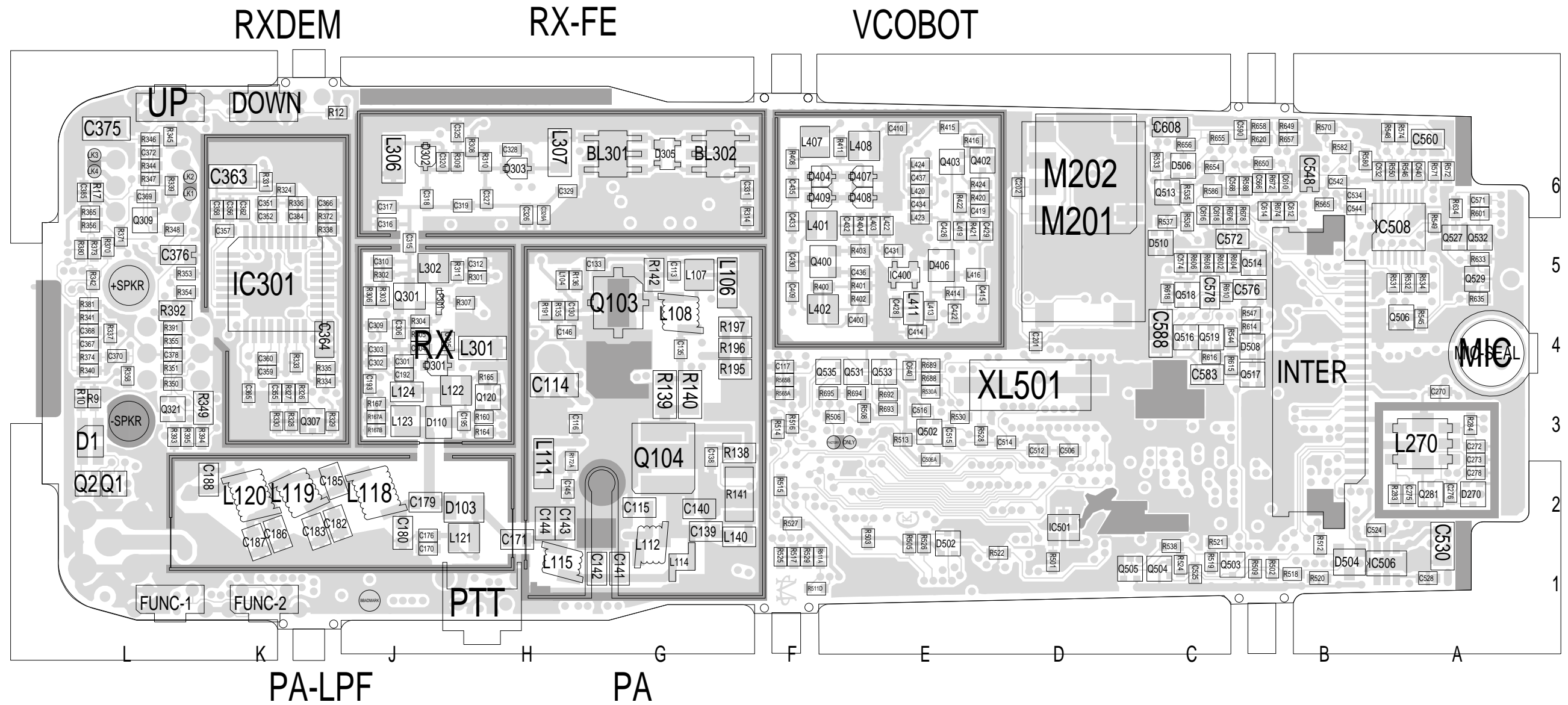
© TAIT ELECTRONICS				
ORCA	:TP010-3122	136-174MHZ	VCO	
IPN:	ISSUE:	ID:		
220-01588-04	B	2.SC. 7		
PROJECT:	DESIGNER:	FILE NAME:	FILE DATE:	NO.SHEETS:
TAIT ORCA	BRD	158804b	7-Feb-00	7

REV/ISS	AMENDMENTS	DRAWN	CHKD	D.O.	APVD	DATE



TAIT ELECTRONICS IPN: 220-01588-04 ISS: A ID: 1.TA DATE: 16 Nov 1999  
 ORCA VHF PCB LAYOUT - TOP SIDE





TAIT ELECTRONICS    IPN: 220-01588-04    ISS: A    ID: 6.BA    DATE: 16 Nov 1999  
 ORCA VHF PCB LAYOUT - BOTTOM SIDE

Scale: 2.3:1 ;    Rotation: 0 degrees